



HICSON PUMPS

NON-CLOGGING CENTRIFUGAL PUMP MODEL 'RT'

DESCRIPTION

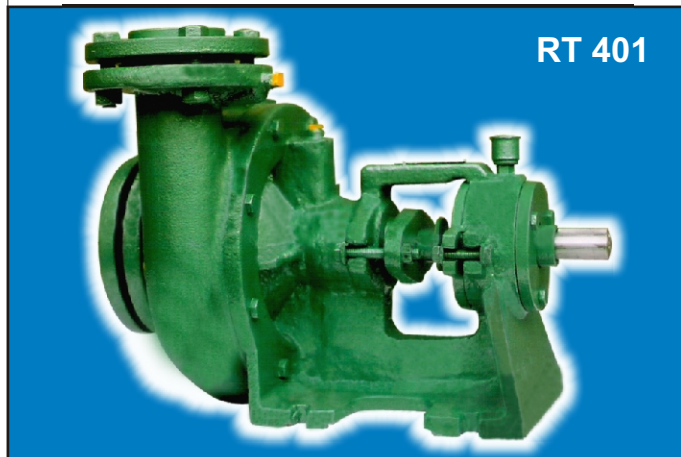
Pump type 'RT' are horizontal, single stage, Centrifugal pumps for pumping reasonably clear or slightly muddy water. Pumps are very Compact and of sturdy construction. Pump Suction branch is axial and delivery branch Vertical. Impeller has three semi - open vanes, Which permit passage of suspended particles of Max. Size 5 to 8 mm. The pump is provided with one bush bearing and one ball bearing. Ball bearing is lubricated by grease. The pumps are provided with gland packing. Pumps can be fitted with stainless steel wearing plates on request. Direction of rotation is clockwise looking from drive end.

APPLICATION

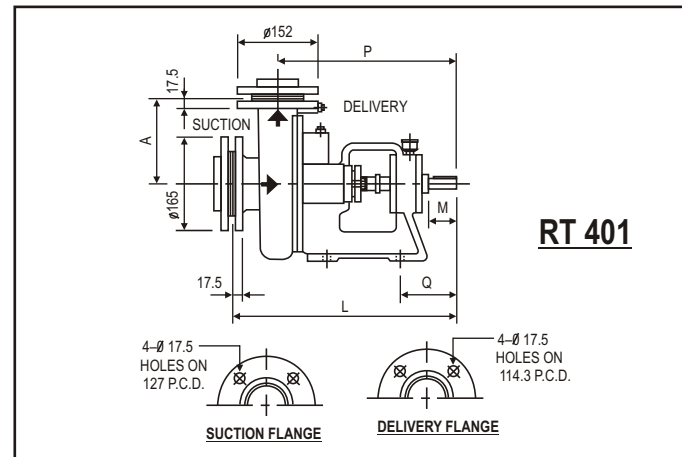
- Sewage and drainage ● Effluent disposal ●
- Industrial processing water ● Raw water from River and canal

MATERIAL OF CONSTRUCTION

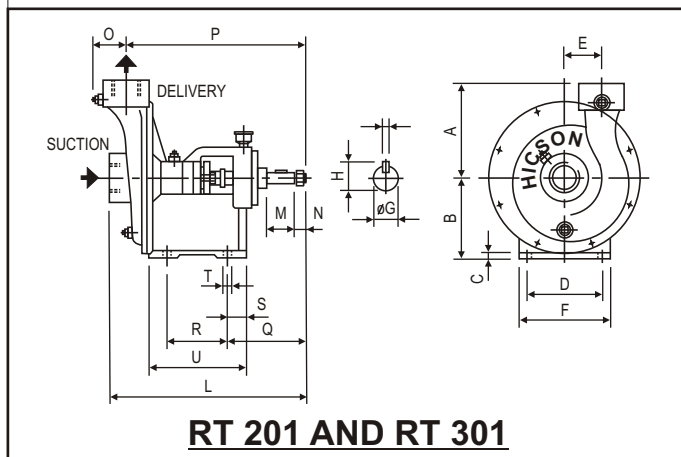
Casing, Impeller – Closing grained Cast Iron
 Shaft – Stainless Steel
 Special material of construction also available.



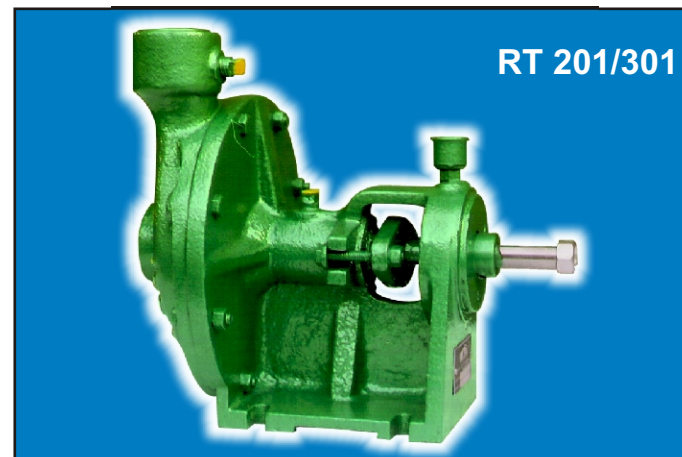
RT 401



RT 401



RT 201 AND RT 301



RT 201/301

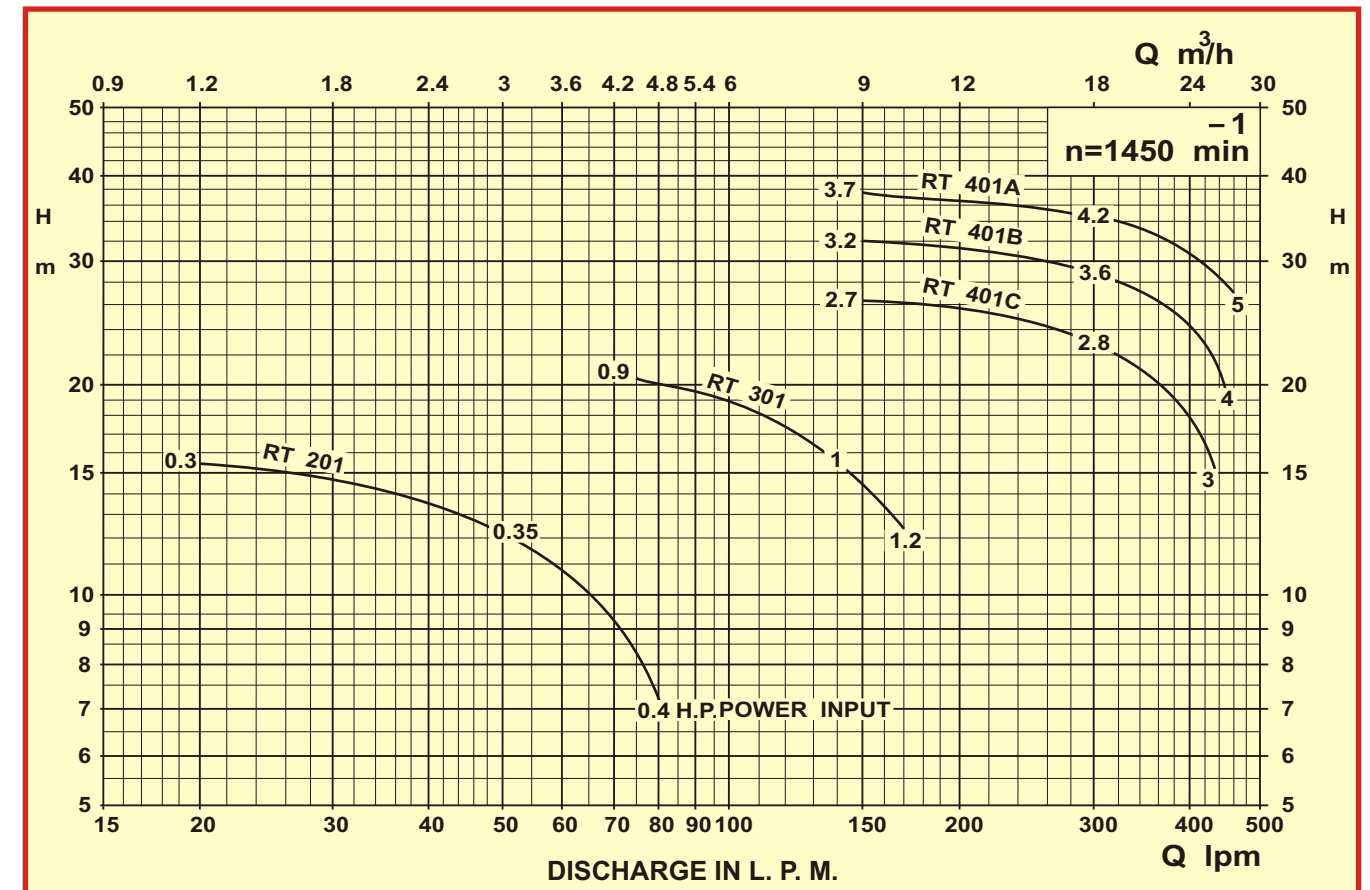
PUMP TYPE	SUCTION	DELIVERY	A	B	C	D	E	F	G	H	I	L	M	N	O	P	Q	R	S	T	U	WT. IN KG. (APPROX)
RT 201	1" BSP	1" BSP	109	87.5	11	82	65	102	12.7	15	4	262	29	13	40	235	105	73	29	12	133	9
RT 301	1 1/4" BSP	1 1/4" BSP	135	111	11	110	51	130	17	19	5	182	42	11	45	253	108	86	27	12	140	15
RT 401	2 1/2" BSP	2" BSP	152	136.5	13	170	111	195	19	21.7	6.3	400	50	-	-	319	93	140	45	13	225	45

All dimensions are millimeters unless otherwise stated

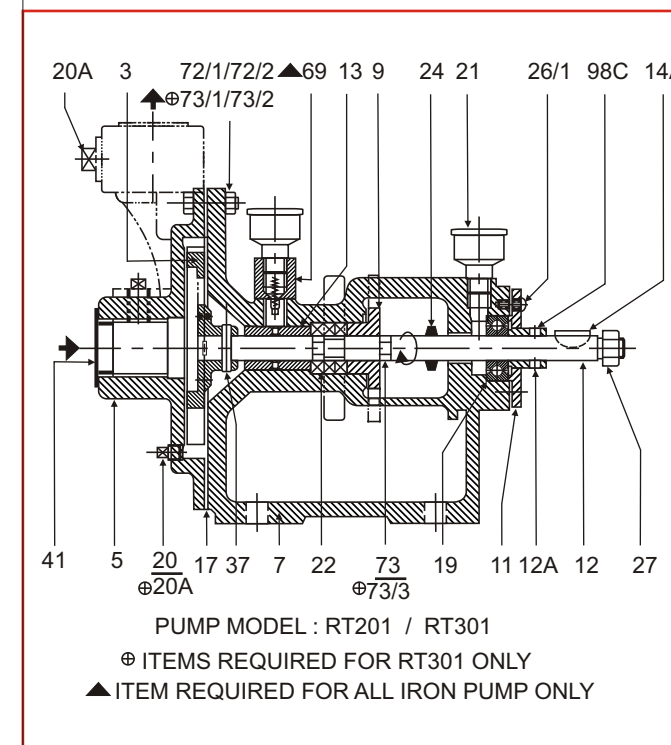
Casting dimensions are approximate

K. G. Industries
 KOLKATA - (W.B.)

Phone : 033-2653-1324, 033-2653-3055 ★ Mobile : 09674594256, 07044917347, 09804390932
 E-mail : kg.industries.hicson@gmail.com ★ Website : www.hicsonpump.com



- ★ Performance Tolerance is as per IS:
- ★ Capacity applies to liquid at barometric height of 760 m.m. Mercury, temperature of 30°C.
- ★ Input powers indicated above are for specific gravity of 1.0 and viscosity of 1cST.
- ★ Maximum permissible speed is 3000 R.P.M.



PUMP MODEL : RT201 / RT301
 ⊕ ITEMS REQUIRED FOR RT301 ONLY
 ▲ ITEM REQUIRED FOR ALL IRON PUMP ONLY

LIST OF PARTS

3	Impeller	22	Gland Packing
5	Pump Casting	24	Water Slinger
7	Bracket	26/1	Screw
9	Gland	27	Nut, Shaft End
11	Bearing Cover	37	Pin
12	Shaft	41	Cover
12A	Shaft Sleeve	69	Connector
13	Bush Bearing	72/1	Bolt/Nut
14A	Key	72/2	Bolt/Nut
17	Paper Gasket	73	Bolt/Nut
19	Ball Bearing	73/1	Bolt/Nut
20	Plug	73/2	Screw
20A	Plug	73/3	Bolt/Nut
21	Grease Cup	98C	Set-Screw

*Spares Recommended

Manufacturer reserves the right to change specification and data for improvement in design.

Authorised Dealer :