



HICSON PUMPS

SELF PRIMING PUMP MODEL : 'AL'

FEATURES

- ★ Horizontal, lateral channel, self-priming design for continuous operation handling clear liquid free from any suspended particle.
- ★ Suction and Delivery branches are vertical and flanges are oval. Counter flanges are provided with BSP thread.
- ★ Pumps are provided with one grease lubricated ball bearing and one bush bearing flushed by liquid handled.
- ★ For special applications mechanical seal can be fitted.

MATERIAL

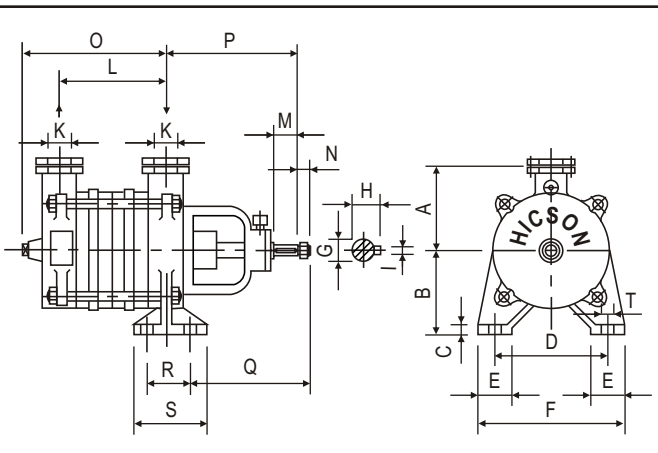
Suction Cover	}	Close grained
Delivery Cover		Cast Iron
Intermediate Parts		
Impeller		: H.T. Brass
Shaft		: Stainless Steel
Shaft Sealing		: Gland Packing/Mech. Seal
Special Material also available		

APPLICATION

- ★ Transfer of Liquid containing air or gas
- ★ Domestic water supply
- ★ Various marine applications
- ★ Refrigeration, Fuel Oil etc.

TECHNICAL DATA

Capacity	: Max. 130 L.P.M.
Head	: Max. 80 M.
Speed	: 1450 R.P.M. (Normal) 1800 R.P.M. (Max)
Temperature	: Max. 60°C for Standard Pump Max. 90°C for Hot Water Pump (Designed by 'H')
Suction Lift	: Max. 8M.
Rotation	: Clockwise when looking from drive end. Anti-clockwise in 'RR' Pump



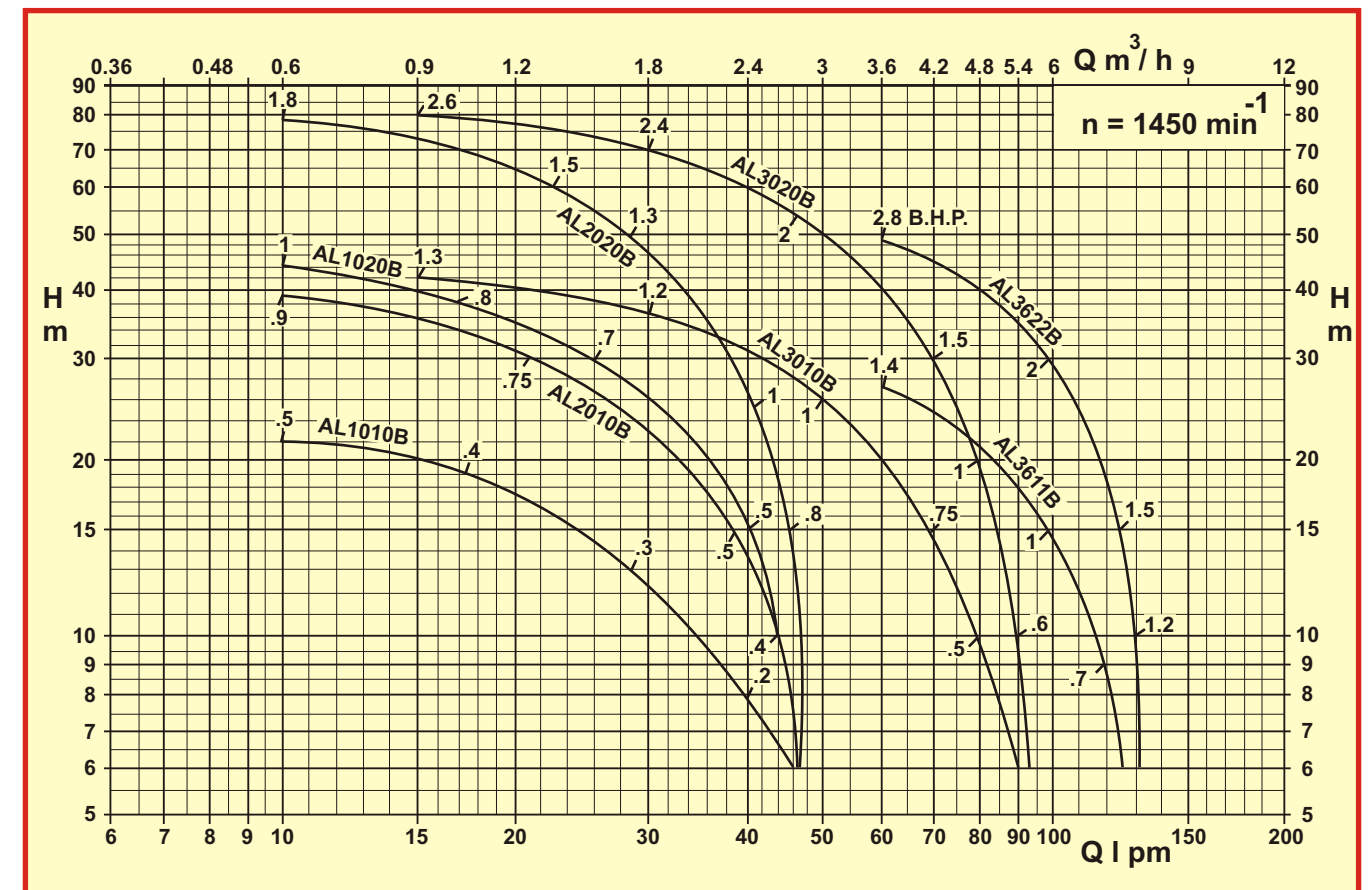
PUMP MODEL	A	B	C	D	E	F	G	H	I	K	L	M	N	O	P	Q	R	S	T	WT. IN KG. Approx
AL 1010 B	90	90	11	120	36	156	12	15	4	1"	78	26	13	118	141	136	50	86	13	9.5
AL 1020 B	90	90	11	120	36	156	12	15	4	1"	112	26	13	152	141	136	50	86	13	11
AL 2010 B	112	112	15	160	36	196	16	18	5	1 1/4"	83	36	15	140	163	128	70	106	13	14
AL 2020 B	112	112	15	160	36	196	16	18	5	1 1/4"	123	36	15	180	163	128	70	106	13	17.5
AL 3010 B	112	112	15	160	36	196	16	18	5	1 1/4"	83	36	15	140	163	128	70	106	13	14
AL 3020 B	112	112	15	160	36	196	16	18	5	1 1/4"	123	36	15	180	163	128	70	106	13	17.5
AL 3611 B	112	112	15	160	36	196	16	18	5	1 1/2"	83	36	15	140	163	128	70	106	13	14
AL 3622 B	112	112	15	160	36	196	16	18	5	1 1/2"	123	36	15	180	163	128	70	106	13	17.5

All dimensions are millimeters unless otherwise stated

Casting dimensions are approximate

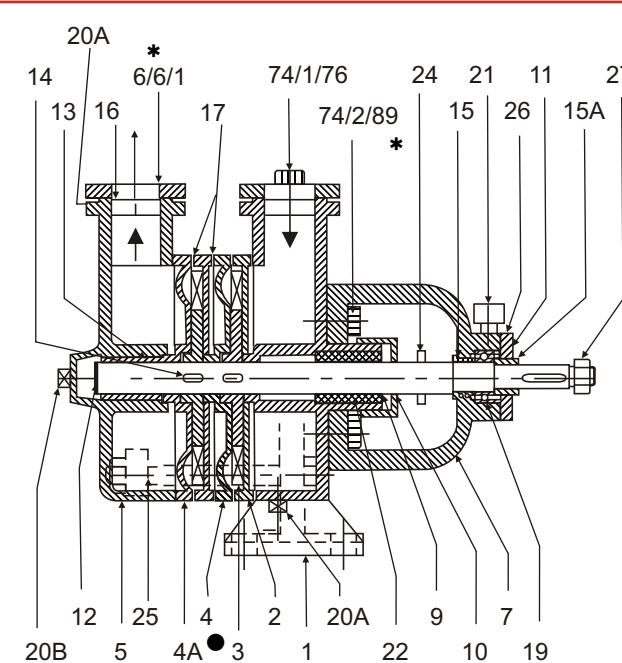
K.G. Industries
KOLKATA - (W.B.)

Phone : 033-2653-1324, 033-2653-3055 ★ Mobile : 09674594256, 07044917347, 09804390932
E-mail : kg.industries.hicson@gmail.com ★ Website : www.hicsonpump.com



DISCHARGE IN L. P. M.

- ★ Tolerance on Capacity $\pm 10\%$ at rated head and rated R.P.M.
- ★ Capacity applies to liquid at barometric height of 760 m.m. Mercury and at a temperature of 30°C.
- ★ Power inputs indicated above are for specific gravity of 1.0 and viscosity of 1cSt.
- ★ For Hot water pump 'H' capacity is reduced.
- ★ For suction lift of more than 4M. Capacity is reduced.



* For Non-Ferrous Pumps

● For 2 Stage Pumps

LIST OF PARTS

1 Suction Cover	16 Flange Gasket
2 Intermediate Part II	*17 Paper Gasket
*3 Impeller	*19 Ball Bearing
4 Intermediate Part I	20A Plug, Gauge
4A Intermediate Part IU	20A Plug Drain
5 Delivery Cover	20B Plug, Shaft End
6 Counter Flange	21 Grease Cup
6/1 Counter Flange	*22 Packing
7 Bracket	24 Water Slinger
9 Gland	25 Tie Bolt & Nut
10 Gland Nut	26 C'SK Screw
11 Bearing Cover	*27 Nut, Shaft End
*12 Shaft	74/1 Bolt & Nut
*13 Bush Bearing	74 Hex, Hd. Screw
*14 Key	76 Bolt & Nut
*15 Collar Ring (Inner)	89 Stud & Nut
*15A Collar Ring (Outer)	

*Spares Recommended

Manufacturer reserves the right to change specification and data for improvement in design.

Authorised Dealer :